

# VCDBH series

## (Block Type High Pressure Diaphragm Valve - Manual Operation & Pneumatic Actuating Operation)

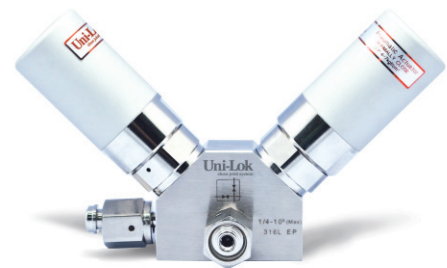
### Specification

|  |                                  |
|--|----------------------------------|
| Size   | 1/4"                             |
| Orifice Size   | 2.5                              |
| Cv Value   | 0.1                              |
| Max. Working Pressure  | 210 bar (3045 psig)              |
| Max. Working Temperature                                       | -10~80°C (-23~176°F)             |
| Actuator Pressure Rating                                       | 5~7 bar (73~101 psig)            |
| Internal Leakage Allowance - He<br>(Holding Time - Min 30 sec) | $\leq 1 \times 10^{-9}$ atm.cc/s |
| External Leakage Allowance - He<br>(Holding Time - Min 1 min)  | $\leq 1 \times 10^{-9}$ atm.cc/s |

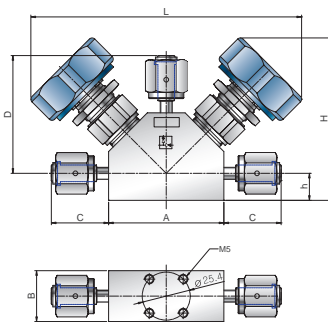
### Manual Operation



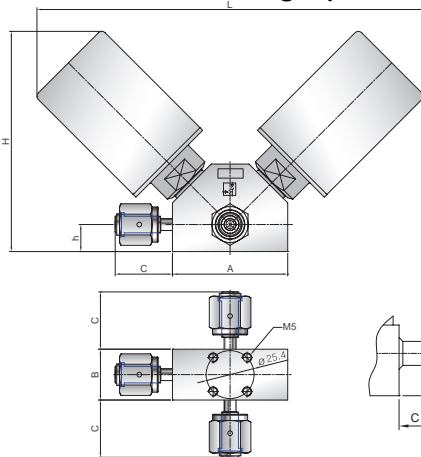
### Pneumatic Actuating Operation



### Manual Operation



### Pneumatic Actuating Operation



Tube Butt Weld

Female UCR

Rotatable Male UCR

## Ordering Information & Dimensions

### Manual Operation

| Part Number |     |       |       | End Connection          |        | Dimensions (mm) |      |      |      |      |      |       |
|-------------|-----|-------|-------|-------------------------|--------|-----------------|------|------|------|------|------|-------|
|             |     |       |       | Inlet                   | Outlet | A               | B    | C    | D    | h    | H    | L     |
| VCDBH       | C-  | FP1A- | 04MR- | 1/4" Rotatable Male UCR |        | 61.0            | 26.9 | 30.3 | 62.3 | 14.3 | 84.4 | 140.0 |
|             | C-  |       | 04F-  | 1/4" Female UCR         |        |                 |      |      |      |      |      |       |
|             | WB- |       | 04T-  | 1/4" Tube Butt Weld     |        |                 |      |      |      |      |      |       |

### Pneumatic Actuating Operation

| Part Number |     |      |       | End Connection          |        | Dimensions (mm) |      |      |      |      |       |       |
|-------------|-----|------|-------|-------------------------|--------|-----------------|------|------|------|------|-------|-------|
|             |     |      |       | Inlet                   | Outlet | A               | B    | C    | D    | h    | H     | L     |
| VCDBH       | C-  | FP3- | 04MR- | 1/4" Rotatable Male UCR |        | 61.0            | 26.9 | 30.3 | 62.3 | 14.3 | 116.5 | 204.4 |
|             | C-  |      | 04F-  | 1/4" Female UCR         |        |                 |      |      |      |      |       |       |
|             | WB- |      | 04T-  | 1/4" Tube Butt Weld     |        |                 |      |      |      |      |       |       |

Dimensions are for reference only and are subject to change without prior notice.